

## Elongated Toilet

### FEATURES:

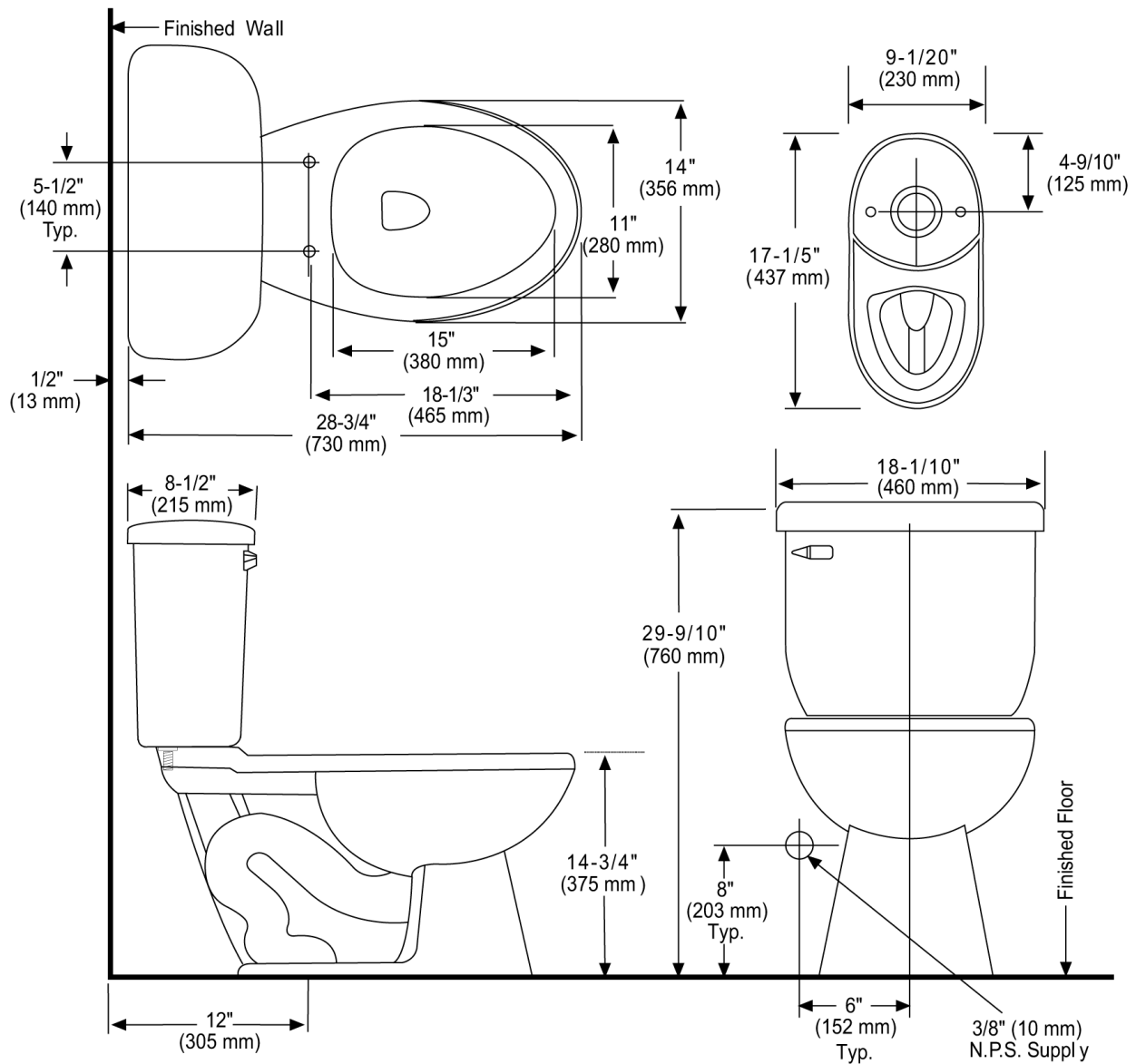
- 1.6 Gallon / 6 Liter Low Consumption Flush
- Siphon Jet Flush
- Integral Rim Jets
- 2" Fully Glazed Trapway
- 12" Rough-In
- 400 Grams
- 7.80" x 7.20" Water Surface Area
- Sanitary Line on Bowl for Easy Cleaning
- Includes Solid Brass Tank to Bowl Bolts & Two Bolt Caps
- Available with Deluxe or Standard Fill Valve
- Chrome Trip Levers, White Available
- Right Hand Trip Lever Available
- Toilet Seat Not Included
- Available in White, Bone or Biscuit
- AAA Grade Quality Glazed Finish
- Compliant with **UPC, National Plumbing Code of Canada, IPC & IRC**
- Compliant with ASME A112.19.2-2008/CSA B45.1-2008 Certification Standards
- Certificate of Listing filed with ICC Evaluation Service



### SPECIFICATIONS

Model No.	Description	Approx Wt.	Gross Cu. Ft.
C721	Athena Elongated Toilet Bowl	50.60 lbs.	3.428 cu. ft.
T701	Athena Toilet Tank	39.60 lbs.	1.519 cu. ft.

**Elongated Toilet**



**NOTE:**  
Rough-in measurements may vary 1/4" (+ -)